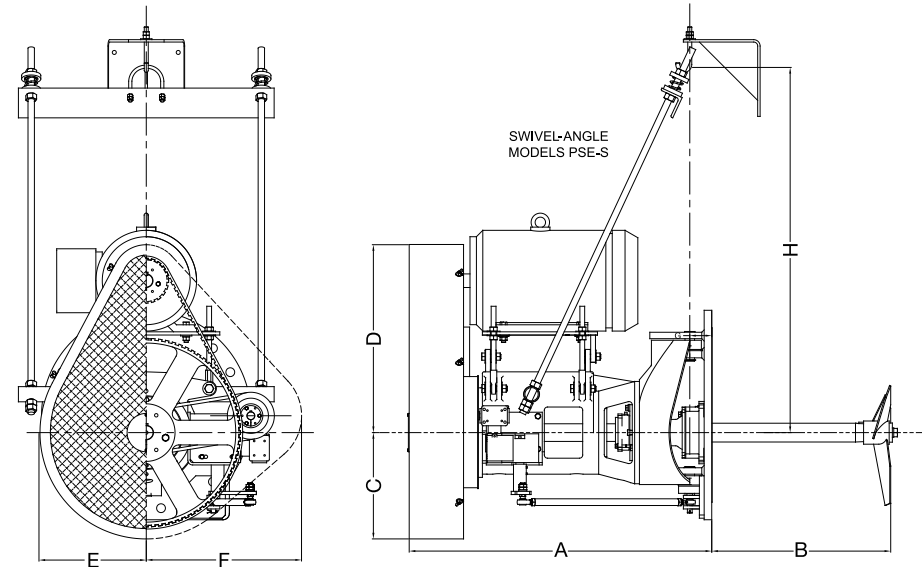


SWIVEL-ANGLE MODELS

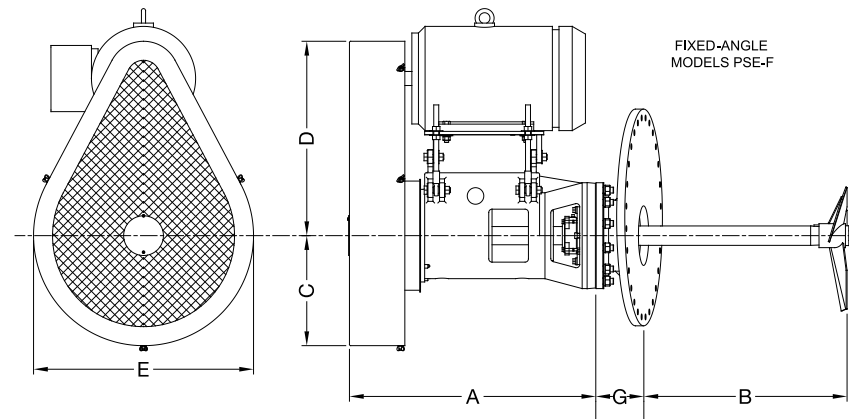


Dimensions - Inches (mm)

Model	A	B	C	D*	E	F	H
PSE70S	44.5 (1130)	26.5 (673)	14.0 (356)	46.0 (1170)	16.0 (406)	23.0 (584)	55.25 (1403)
PSE85S	44.5 (1130)	31.25 (794)	14.0 (356)	50.0 (1270)	16.0 (406)	23.0 (584)	55.25 (1403)

*Maximum

FIXED-ANGLE MODELS



Dimensions - Inches (mm)

Model	A	B	C	D*	E	G
PSE70F	37.5 (953)	30.75 (781)	16.5 (419)	30.5 (826)	33.5 (851)	7.25 (184)
PSE85F	37.5 (953)	30.75 (781)	16.5 (419)	32.5 (826)	33.5 (851)	7.25 (184)

*Maximum



U.S.A.
1051 Clinton Street
Buffalo, New York 14206
(716) 856-4636

CANADA
5 Brigden Gate
Halton Hills, ON L7G 0A3
(905) 693-8595 Fax (905) 693-1452

**Western U.S.A. /
Western Canada**
(604) 986-8764
Fax (604) 986-8794

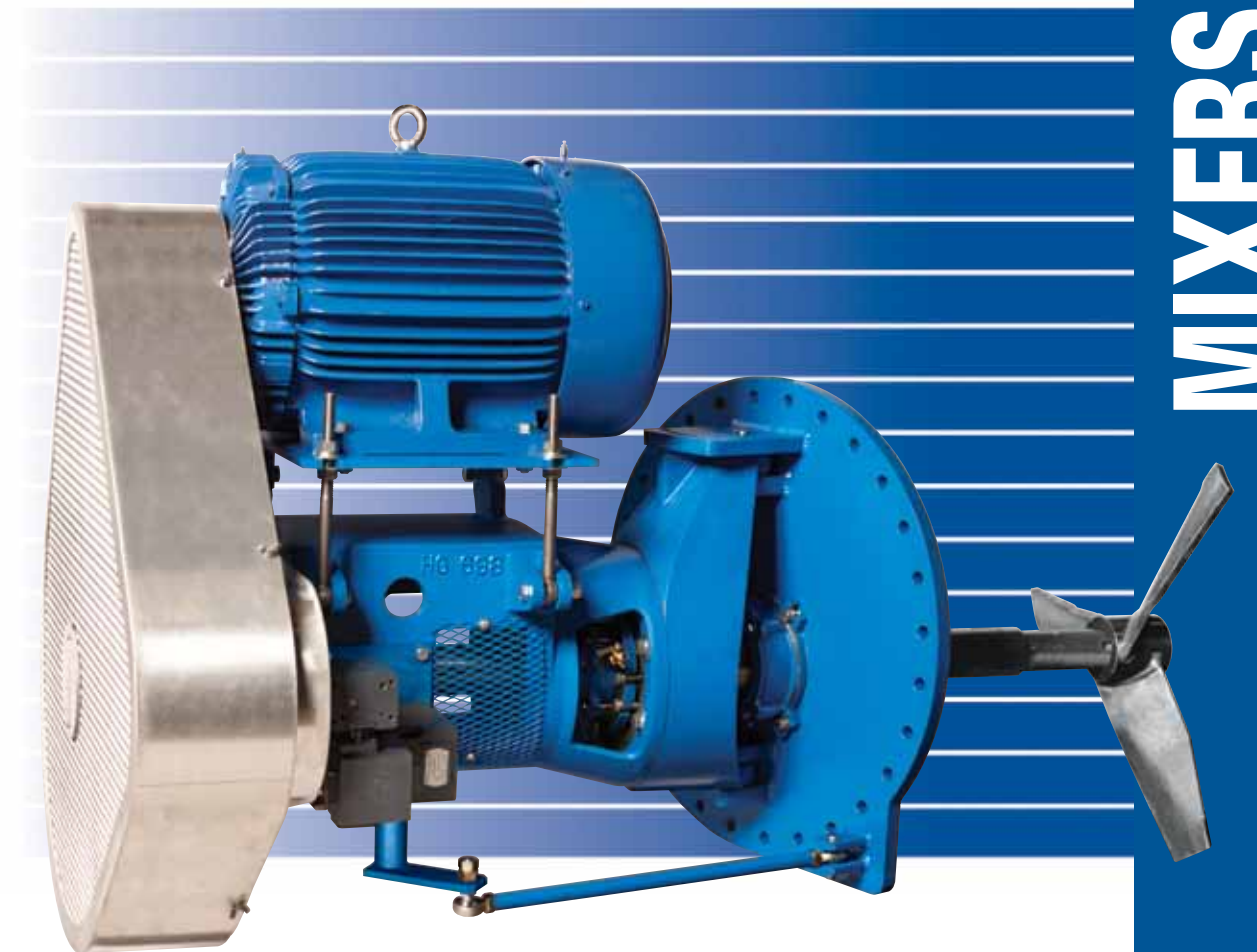
haywardgordon.com
info@haywardgordon.com

04/14 1.5M

Printed in Canada



PSE SIDE ENTRY MIXERS



Specifically designed and built with the durability and reliability required for large petroleum tank mixing applications.

www.haywardgordon.com

MIXERS

PROVEN DESIGN

With more than 40 years of manufacturing side entry mixers for numerous applications, we have developed a thorough understanding of the high unbalanced loads with which the mixer must contend.

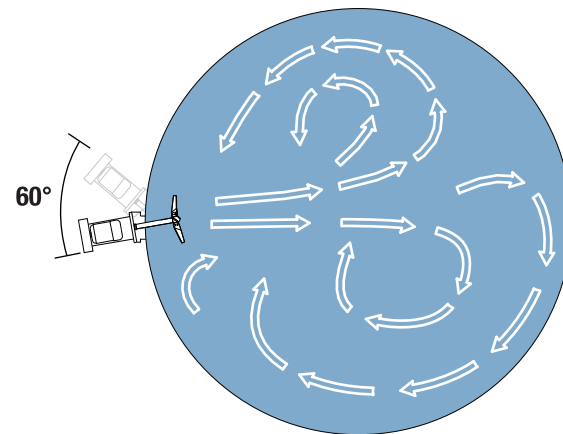


SIZES

- Standard size range includes 15 to 75 HP with impellers ranging from 20" to 33" diameter allowing for a wide range of selections to suit individual applications.
- All units are supplied with high torque drive (HTD) reinforced tooth belts for quiet, maintenance free operation with positive drive. Standard output speeds satisfy the majority of applications with custom speeds available to closely match required torque for special situations.

HIGH EFFICIENT HYDROFOIL IMPELLER

- High efficient hydrofoil impeller provides maximum pumping for optimum results.
- Low impeller power number ensures minimal operating costs.
- Design optimized with the use of Laser Doppler and Computational Fluid Dynamics technology.
- Impeller is positively retained on shaft by a taper fit, key and lock bolt.

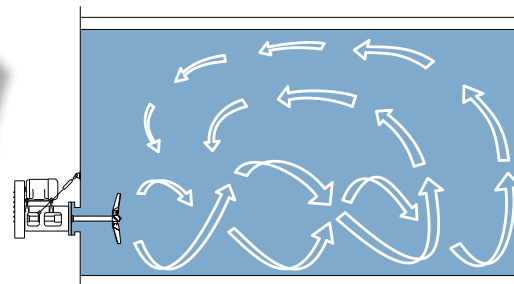


SWIVEL-ANGLE

Swivel-angle mixers incorporate a feature which allows the mixer flow direction to be varied through 30° on either side of the mixer center line, ensuring that the entire tank floor is swept and scoured clean.

Applications include:

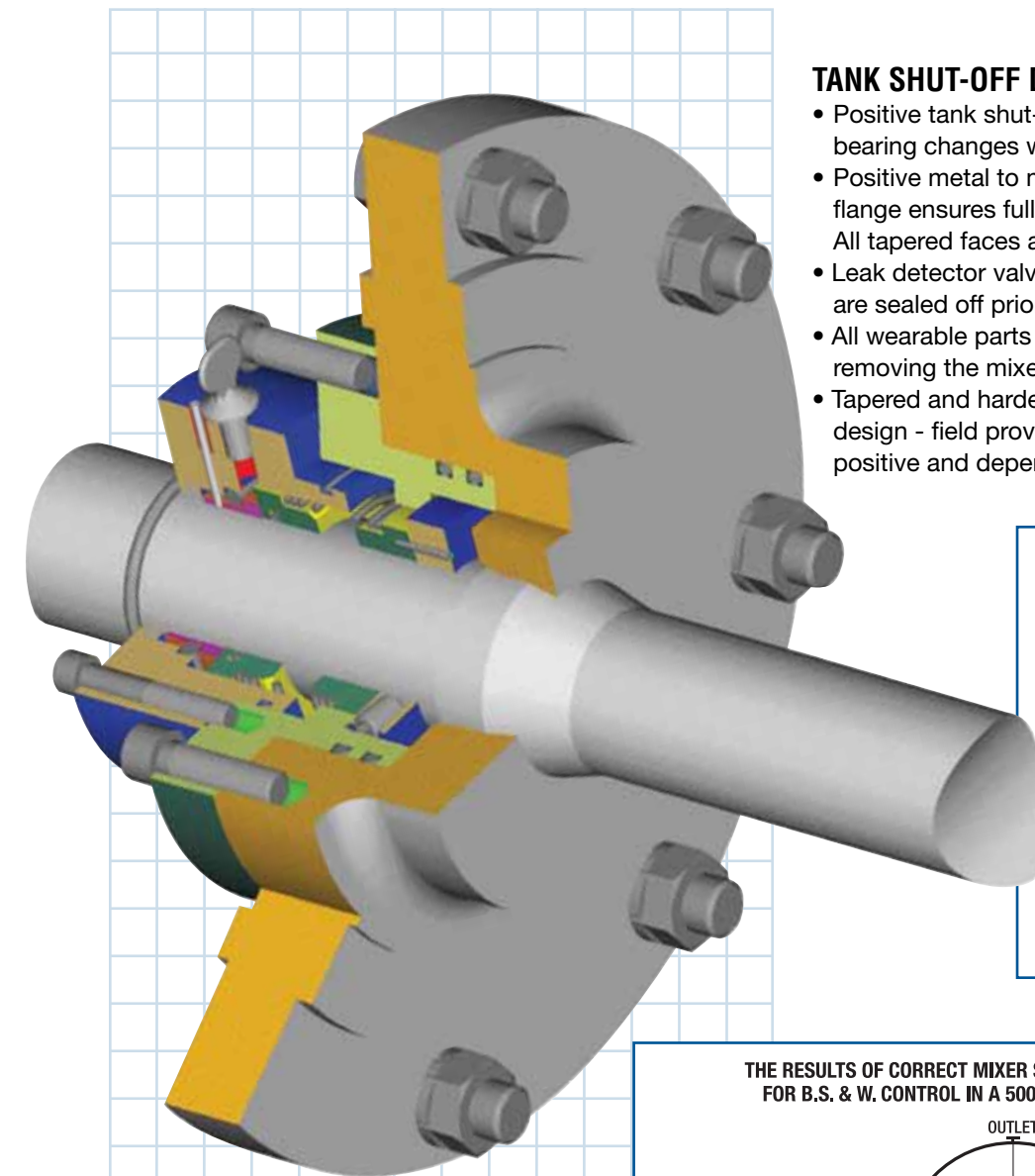
- Crude Oil Storage
- B.S. & W. Control
- Bottom Sediment & Water Control



FIXED-ANGLE

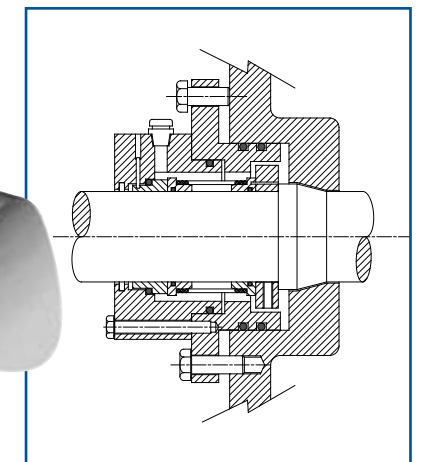
Fixed-angle mounts 10° to the left of the tank center line, providing complete top to bottom turnover.

- Maintains Homogeneity - Complete top to bottom turnover and uniformity.
- Blending - Mixing two or more components requires full tank turnover.
- Heat Transfer - Provides maximum pumping while cooling or heating to ensure a uniform temperature.



TANK SHUT-OFF DEVICE

- Positive tank shut-off device allows for seal and bearing changes without emptying the tank.
- Positive metal to metal taper lock on shaft and flange ensures full engagement of shut-off. All tapered faces are wear and corrosion resistant.
- Leak detector valve ensures that tank contents are sealed off prior to dismantling.
- All wearable parts are serviceable without removing the mixer drive from the tank.
- Tapered and hardened metal-to-metal shut-off design - field proven to be the most reliable, positive and dependable sealing configuration.



THE RESULTS OF CORRECT MIXER SELECTION AND POSITIONING FOR B.S. & W. CONTROL IN A 500,000 Bbls CRUDE OIL TANK.

