

GF10000PW

Technology Description- Floating, AC powered, circulation equipment for Potable water storage and clearwell applications. Continuous operation on single-phase AC power.

Materials of Construction - NSF/ANSI Standard 61- T316 stainless steel construction. Foam-filled high-density polyethylene (HDPE) floats. Thermoplastic rubber intake hose. HDPE strainer.

The GF10000PW is NSF / ANSI Standard 61 Certified, includes NSF/ANSI 61, Annex G.



Minimum Access Opening / Machine Size / Weight -

Machine can be assembled through 3 feet by 3 feet (92 cm by 92 cm) clear opening. Assembled machine is 16 feet (5 m) in diameter and weighs 850 pounds (380 kg).

Drive System - High torque, direct drive (no gearbox), low voltage brushless D.C. motor.

Minimum Operating Depth - At depths below 5 feet (1.5 m), the impeller will be out of the water and the machine will stop circulating water. No damage to machine when run dry in shallow water.

Minimum Head Space - 26 inch (0.6 meter) headspace is required.

Flotation System - Three floats in triangular pattern each with an adjustable float arm for proper vertical positioning, total float buoyancy of 1,200 lbs (550 kg).

Rotating Assembly - Removable assembly with easy access to impeller and impeller shaft.

Electrical Requirements - Requires single phase 120VAC / 60Hz / 15 Amp Service. **(Not supplied by Ixom.)**

Wiring Controls - Corrosion-resistant industrial cord with molded watertight indexed connectors. Low voltage in reservoir. Includes power box which converts single-phase AC voltage to low voltage DC power. **(Electrical power source cable, switches, breakers, emergency stop buttons, or other controls required to be installed in accordance to all NEC, State, and local regulations, Not supplied by Ixom.)**

Fluid Intake Assembly - Intake hose bolted to bottom of structural assembly.

Intake Hose : 10 to 40 feet (3 to 30 m) available in 36-inch (92 cm) diameter X 10, 15 or 20 foot (3, 4.5, or 6 m) sections.

Intake Assembly at Bottom of Hose: 48-inch (1.2 m) diameter plate rests just above floor of reservoir. Horizontal flow into the intake hose is through 12-inch (32 cm) openings above the plate.

Intake Depth Adjustment: 15 feet (4.5 m) of field adjustment with three SS chains connected to hose coupling.

Self-adjusting for all depths up to 40 feet (12.2 m).

Chlorine Boosting - Chlorine boost hose, accessible at top of reservoir spans down and connects to intake for fast chlorine dispersion during in-reservoir boosting.

Accessories Available - (1) Portable Chlorine Boost System, (2) LED RPM Indicator and (3) Wireless SCADA Kit.

Shipping Size / Weight -

- **Crate -** 87 inch W X 87 inch L X 65 inch H (2.2 m x 2.2 m x 1.7 m) / 1,500 pounds (680 kg)

Exact weight and dimensions varies dependent on machine configuration.

Maintenance / Warranty - Minimal maintenance. Limited 2-year parts and labor warranty.

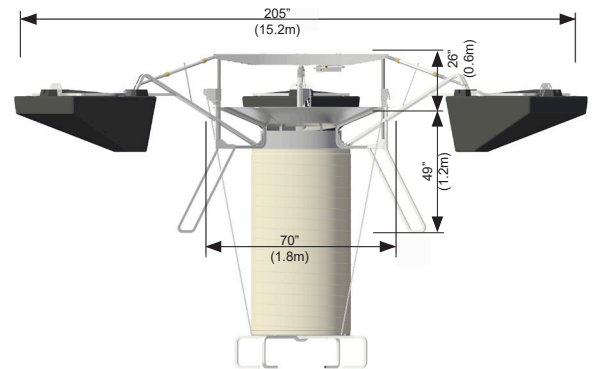


Figure 1: GF10000PW